

 **PLASSON**<sup>®</sup>  
Flow Solutions

Catalogue

**2021**

 **PLASSON**<sup>®</sup>

**SERIES 1  
FITTINGS**

**Milder**

— VEELZIJDIG IN LEIDINGSYSTEMEN —



# SERIES 1 FITTINGS

## PLASSON Series 1

**PLASSON Series 1** - The new range of innovative fittings created by PLASSON, market leader in design and manufacture of reliable fittings for polyethylene pipe systems.

**PLASSON Series 1** - Fittings provide dedicated solutions for connecting PE pipe to various other pipe materials, such as Copper, Polybutylene, PVC and PEX.

**PLASSON Series 1** - Push fittings are designed to withstand 16 bar pressure rating. Inserting the pipe up to the fitting stop creates both the seal and the grip on the pipe.

**PLASSON Series 1** - Compact and attractive design makes this fitting ideal for the plumbing market, where space is limited and appearance is crucial. Simplicity of assembly makes both the professional and occasional user's job easier while retaining the PLASSON reliability.

The combination of PLASSON's current fitting range and the new Series 1 fulfill the requirements of all markets for PE pipe connections and connections to other pipe materials.

### PLASSON Series 1 features and benefits include:

- Aesthetically designed product - gives a professional finish to the job
- Assembly tools not required - simple push fit assembly
- Compact size - can be assembled in confined spaces
- Instant seal and integrity of joint - captive seal and no nuts to tighten
- Full end load performance - no need to restrain joints
- Transition from PE to internal plumbing systems - Copper, PB, PVC and PEX accommodated in one fitting
- 50 year design life - provides total reliability
- Tamper resistant design - ensures system integrity
- Reduced stock shelf space

# Technical Specifications

## Materials

### Compression Fittings

Body: Polypropylene, high grade copolymer

Nut: High Grade Polypropylene

Split Ring and Grip Ring: Acetal (POM)

Liner: Acetal (POM)

Seal: Nitrile rubber (NBR)

Reinforcing Ring: Stainless steel on all female offtakes from 1 1/4" up to 2"

### Threaded Fittings

Body: Polypropylene, high grade copolymer

Reinforcing Ring: Stainless steel

Brass Threads: CW617

## Operating Temperatures

The fittings are not to be used with hot water, although they withstand the same temperature as the polyethylene pipe itself.

The fittings will withstand sub-zero temperatures.

## Chemical Resistance

PLASSON fittings are supplied, as standard, with polyacetal split and grip rings and NBR seals which are suitable for water.

## Operating Pressures and Quality Certificates

PLASSON fittings sizes 20-63 are tested and approved for water according to ISO 17885 (replaced 14236) to PN16.

## Threads

Threads marked "R", "Rp" and "Rc" are according to ISO 7-1.

Threads marked "G" are according to ISO 228.

### Legend

UB	Units per bag
UC	Units per carton
W	Weight in grams

The units per bag in this catalogue are the default figures, other figures might be applicable to certain markets.

## Note

Before installation, ensure that the end of the pipe to be inserted into the fitting is free of scratches and other imperfections and that both the pipe and the fitting itself are free of sand, mud, stones, etc. If fittings are reused, ensure that split ring and grip ring teeth are sharp and bite into the pipe, to avoid pullouts. If uncertain, replace the split ring and grip ring.

Pull out resistance of PVC Adaptors and Universal Adaptors has been approved by pressure testing UPVC/PP pipe assemblies at 25 bar operating pressure for at least 1 hour.

Note: We strongly recommend the use of PTFE tape in threaded connections.

For diameters 40mm and above, chamfering and lubrication of the pipe end will ease insertion (use silicone lubricant).

## PLASSON Series 1

### 1001

Page 199

Coupler



### 17610

Page 199

Universal Slip Repair Coupler



### 07990

Page 199

PLASSON Wrench



### 17610/1761Q

Page 200

Slip Repair Coupler



### 1011

Page 200

Reducing Coupler



### 1012

Page 200

End Plug



### 1002

Page 201

Male Adaptor



### 1003

Page 201

Female Adaptor



### 1003G

Page 202

Female Adaptor G Thread



### 1001C

Page 202

Copper Pipe Adaptor



### 1002C

Page 202

Copper Pipe Male Adaptor



### 1003C

Page 203

Female Copper Adaptor



### 10017U

Page 203

Universal Adaptor



### 1001Q

Page 203

PE to PVC Pipe Adaptor



### 1001QQ

Page 204

Coupling for PVC Pipe



### 1001M

Page 204

Coupler Metric to Imperial (IPS)



### 1072

Page 205

Male Adaptor with Threaded Brass Offtake



### 1073

Page 206

Female Adaptor with Threaded Brass Offtake



**1073G**

Page 206 | Female Adaptor with Threaded G\* Brass Offtake



**1004**

Page 207 | 90° Tee



**1034**

Page 207 | 90° Reducing Tee



**1014**

Page 208 | 90° Tee with Threaded Female Offtake



**1005**

Page 208 | 90° Elbow



**1006**

Page 209 | 45° Elbow



**1075**

Page 209 | Wall Plate Elbow



**1051**

Page 210 | 90° Reducing Elbow



**1005M**

Page 210 | 90° Elbow Metric to Imperial (IPS)



**1085**

Page 211 | 90° Elbow with Threaded Male Offtake



**1045**

Page 211 | 45° Elbow with Threaded Male Offtake



**1015**

Page 212 | 90° Elbow with Threaded Female Offtake



**1077**

Page 212 | 90° Elbow with Threaded Brass Male Offtake



**1076**

Page 213 | 90° Elbow with Threaded Brass Female Offtake



**03410**

Page 214 | Compression Stoptap



**0341C**

Page 214 | Stoptap - Copper Pipe Adaptor



**0358916**

Page 214 | Free Nut Union for Water Meter



**0358917**

Page 215 | Free Nut Adaptor with Check Valve



**10990**

Page 215

PLASSON Series 1 Wrench



**18960**

Page 216

Chamfer Tool for PE Pipes



**10004**

Page 216

Nut



**10002**

Page 216

NBR O-Ring



**10002D**

Page 217

EPDM O-Ring



**100029**

Page 217

NBR Shaped Seal



**10002D9**

Page 217

EPDM Shaped Seal



**10003**

Page 218

Split Ring



**10008**

Page 218

Grip Ring



**1091Q**

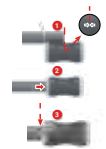
Page 218

PVC Pipe Adaptor Kit



Page 219

Installation Instructions



Page 219

Disassembly



Page 220

Assembly Instructions  
PVC Pipe Kit



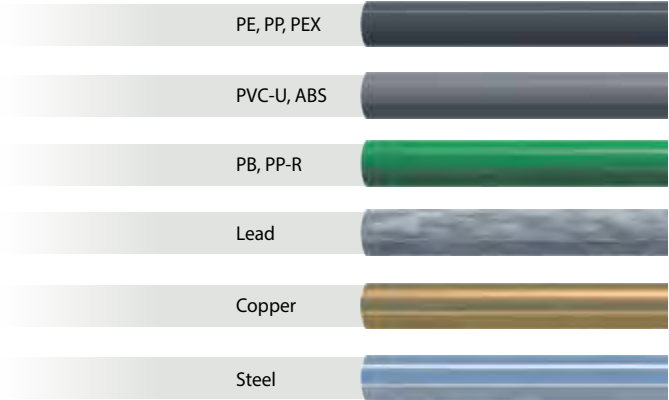
Page 221

PLASSON Universal  
Slip Repair Coupler  
Assembly Instruction





# UNIVERSAL SLIP REPAIR COUPLING



**SLIDE  
N'SEAL**



PN16	PN16	PN16	PN16	PN16	PN16	PN16
14-18mm	19-22mm	24-28mm	31-35mm	40-43mm	48-51mm	60-64mm
0.55"-0.71"	0.74"-0.88"	0.94"-1.1"	1.22"-1.37"	1.57"-1.69"	1.89"-2.00"	2.36"-2.52"

**TYPICAL PIPES:**

25mm	32mm	40mm	50mm	63mm
3/4"	1"	1 1/4"	1 1/2"	2"

*Pull-Out Resistant*

- Suits a variety of plastic and metal pipe materials
- Each fitting designed to fit a wide range of diameters
- Zero force pipe insertion – can slide freely back and forth
- Thick o-ring seal – compensates for poor pipe quality
- Long sealing area – can bridge over damaged section or gap between pipes
- Total reliability - PN16, 50 year design life

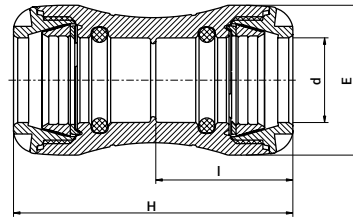


For further information regarding dimensions, suitable pipes and assembly instructions please scan the code.



## Coupler

1001

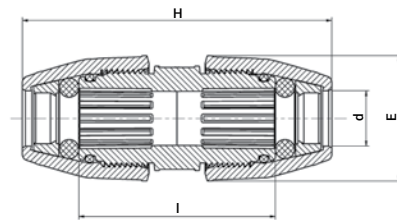


Product Code	Size d	E	H	I	UB	UC	W
100100020	20	41	92	45	1	320	64
100100025	25	47	98	48	1	250	80
100100032	32	58	108	53	1	150	126
100100040	40	70	142	70	1	90	256
100100050	50	85	158	78	1	55	369
100100063	63	103	183	90	1	30	620

## Universal Slip Repair Coupler

**NEW!**

17610



Product Code	Size d	E	H	I	UB	UC	W
176100014018	14-18	54	180	119	1	120	220
176100019022	19-22	58	180	119	1	90	250
176100024028	24-28	66	200	133	1	56	345
176100031035	31-35	76	210	143	1	40	467
176100040043	40-43	89	250	151	1	30	717
176100048051	48-51	101	270	158	1	20	968
176100060064	60-64	120	310	176	1	10	1517

## PLASSON Wrench

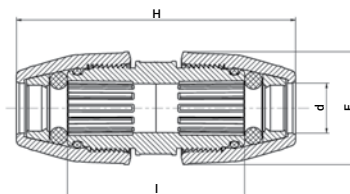
07990



Product Code	Size	UB	UC	W
07990001	16 - 40	5	250	64
07990005	40 - 75	—	75	322

## Slip Repair Coupler

17610/1761Q\*

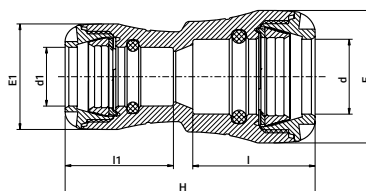


Product Code	Size d	E	H	I	UB	UC	W
1761Q0025	25	60	150	94	5	100	182
1761Q0032	32	68	160	96	5	80	238

\* Split ring with metal teeth for wide range of plastic pipes

## Reducing Coupler

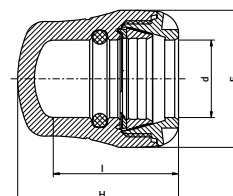
1011



Product Code	Size d x d1	E	H	I	I1	E1	UB	UC	W
101100025020	25 x 20	47	100	48	45	41	1	250	75
101100032020	32 x 20	58	106	54	45	41	1	200	95
101100032025	32 x 25	58	110	54	48	47	1	200	109
101100040025	40 x 25	70	137	71	51	58	1	130	182
101100040032	40 x 32	70	139	71	55	58	1	100	196
101100050025	50 x 25	85	151	79	46	47	1	80	262
101100050032	50 x 32	85	151	79	55	58	1	75	285
101100050040	50 x 40	85	165	77	53	58	1	65	326
101100063032	63 x 32	103	170	91	55	58	1	45	446
101100063040	60 x 40	103	184	91	72	70	1	40	485
101100063050	63 x 50	103	187	91	81	85	1	35	542

## End Plug

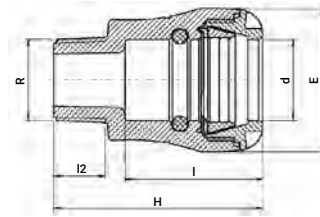
1012



Product Code	Size d	E	H	I	UB	UC	W
101200020	20	41	56	45	1	420	39
101200025	25	47	60	48	1	380	50
101200032	32	58	68	53	1	280	82
101200040	40	70	90	71	1	150	146
101200050	50	85	102	79	1	100	229
101200063	63	103	117	91	1	55	379

## Male Adaptor

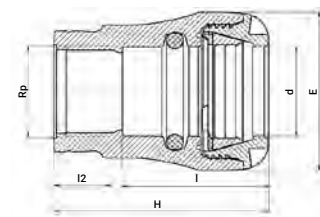
1002



Product Code	Size d x R	E	H	I	I2	UB	UC	W
100200020005	20 x 1/2"	41	70	45	16	1	400	41
100200020007	20 x 3/4"	41	71	45	17	1	380	41
100200025005	25 x 1/2"	47	75	48	16	1	380	52
100200025007	25 x 3/4"	47	76	48	17	1	350	52
100200025010	25 x 1"	47	78	48	19	1	320	55
100200032007	32 x 3/4"	58	82	55	17	1	250	83
100200032010	32 x 1"	58	84	55	19	1	250	86
100200032013	32 x 1 1/4"	58	86	55	21	1	250	90
100200032015	32 x 1 1/2"	58	86	55	21	1	250	94
100200032020	32 x 2"	58	97	55	25	1	180	138
100200040010	40 x 1"	70	104	73	19	1	140	145
100200040013	40 x 1 1/4"	70	106	73	21	1	135	149
100200040015	40 x 1 1/2"	70	106	73	21	1	130	152
100200040020	40 x 2"	70	110	73	25	1	130	161
100200050010	50 x 1"	85	125	78	19	1	90	238
100200050013	50 x 1 1/4"	85	122	78	21	1	90	234
100200050015	50 x 1 1/2"	85	114	81	21	1	90	226
100200050020	50 x 2"	85	118	81	25	1	85	232
100200063015	63 x 1 1/2"	103	125	92	19	1	50	377
100200063020	63 x 2"	103	129	92	25	1	50	367

## Female Adaptor

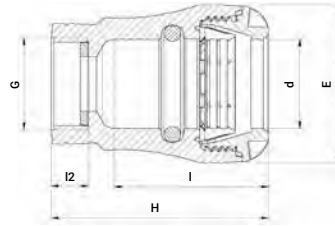
1003



Product Code	Size d x Rp	E	H	I	I2	UB	UC	W
100300020005	20 x 1/2"	41	67	45	17	1	400	43
100300020007	20 x 3/4"	41	71	45	18	1	400	45
100300025005	25 x 1/2"	47	70	48	17	1	380	52
100300025007	25 x 3/4"	47	71	48	18	1	350	52
100300025010	25 x 1"	47	80	48	21	1	350	60
100300032007	32 x 3/4"	58	77	54	18	1	250	78
100300032010	32 x 1"	58	79	54	21	1	250	81
100300032013	32 x 1 1/4"	58	90	54	24	1	200	112
100300032015	32 x 1 1/2"	58	95	54	24	1	160	123
100300040010	40 x 1"	70	97	70	21	1	140	153
100300040013	40 x 1 1/4"	70	100	70	24	1	135	171
100300040015	40 x 1 1/2"	70	103	70	24	1	130	171
100300050013	50 x 1 1/4"	85	110	78	24	1	90	241
100300050015	50 x 1 1/2"	85	110	78	24	1	90	247
100300050020	50 x 2"	85	118	78	29	1	80	252
100300063015	63 x 1 1/2"	103	125	90	24	1	50	378
100300063020	63 x 2"	103	129	90	29	1	45	379

## Female Adaptor G Thread

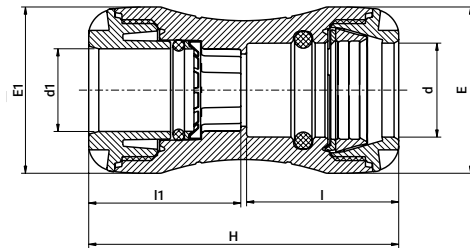
1003G



Product Code	Size d x G	E	H	I	I2	UB	UC	W
1003G0025007	25 x 3/4"	47	71	48	12	1	280	53
1003G0025010	25 x 1"	47	80	48	14	1	260	63
1003G0032007	32 x 3/4"	58	76	54	12	1	200	79
1003G0032010	32 x 1"	58	79	54	14	1	200	83
1003G0032013	32 x 1 1/4"	58	90	64	19	1	200	105
1003G0032015	32 x 1 1/2"	64	95	67	19	1	180	105
1003G0040013	40 x 1 1/4"	70	100	74	19	1	135	135
1003G0040015	40 x 1 1/2"	70	103	70	19	1	130	173
1003G0050015	50 x 1 1/2"	85	110	78	19	1	90	252
1003G0050020	50 x 2"	85	118	89	23	1	80	260
1003G0063015	63 x 1 1/2"	103	125	90	19	1	50	260
1003G0063020	63 x 2"	103	129	95	23	1	50	383

## Copper Pipe Adaptor

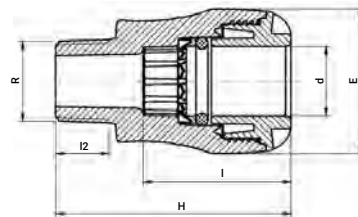
1001C



Product Code	Size d x d1	E	H	I	I1	E1	UB	UC	W
1001C0020015	20 x 15	41	92	45	45	41	1	320	68
1001C0025015	25 x 15	47	100	48	46	41	1	250	79
1001C0025022	25 x 22	47	98	48	48	47	1	220	81
1001C0032028	32 x 28	58	108	53	53	58	1	150	131
1001C0040028	40 x 28	70	139	71	55	58	1	100	203

## Copper Pipe Male Adaptor

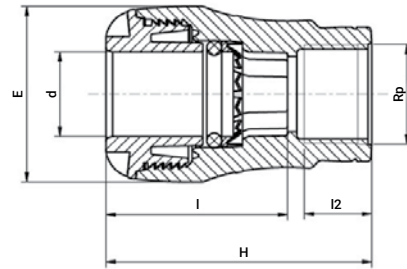
1002C



Product Code	Size d x R	E	H	I	I2	UB	UC	W
1002C7015007	15 x 3/4"	41	71	45	17	1	300	47
1002C7022007	22 x 3/4"	47	76	48	17	1	300	51
1002C7028010	28 x 1"	58	84	55	19	1	180	91

## Female Copper Adaptor

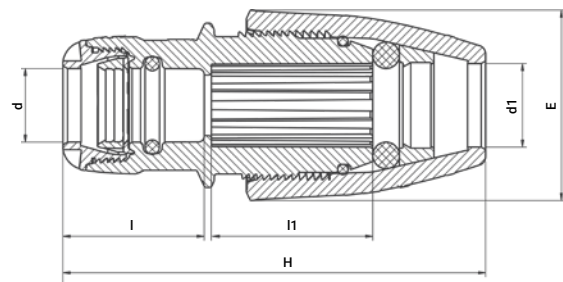
1003C



Product Code	Size d x Rp	E	H	I	I2	UB	UC	W
1003C7015007	15 x 3/4"	41	71	45	18	1	300	48
1003C7022007	22 x 3/4"	47	71	48	18	1	280	55

## Universal Adaptor

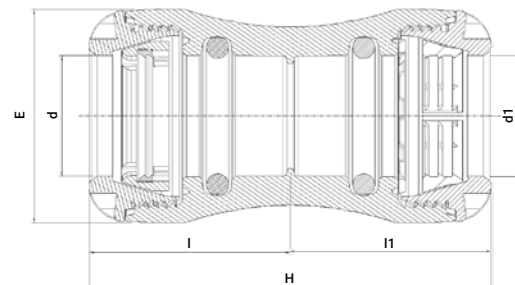
10017U



Product Code	Size d x d1	E	H	I	I1	UB	UC	W
10017U025018	25 x 14-18	54	117-137	48	47	5	180	130
10017U025022	25 x 19-22	57	119-130	48	47	5	150	141
10017U025028	25 x 24-28	66	130-142	48	55	5	120	180
10017U025035	25 x 31-35	76	150-158	48	62	5	70	243

## PE to PVC Pipe Adaptor

1001Q

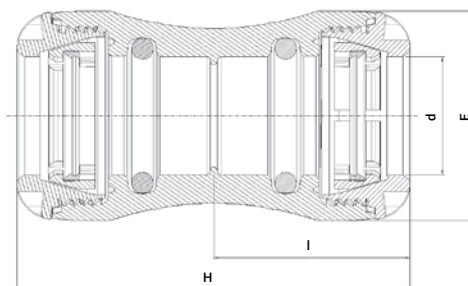


Product Code	Size d x d1*	E	H	I	I1	UB	UC	W
1001Q0025	25 x 25	47	98	48	48	1	200	85
1001Q0032	32 x 32	58	108	53	53	1	130	133
1001Q0040	40 x 40	70	142	70	70	1	100	249
1001Q0050	50 x 50	85	158	78	78	1	55	379
1001Q0063	63 x 63	103	183	90	90	1	30	649

\* d1 - PVC connection

## Coupling for PVC Pipe

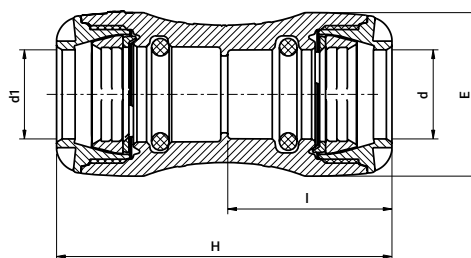
1001QQ



Product Code	Size d	E	H	I	UB	UC	W
1001QQ025	25	47	98	48	1	200	95
1001QQ032	32	58	108	53	1	130	144
1001QQ040	40	70	142	70	1	80	262
1001QQ050	50	85	158	78	1	55	386
1001QQ063	63	103	183	90	1	38	678

## Coupler Metric to Imperial (IPS)

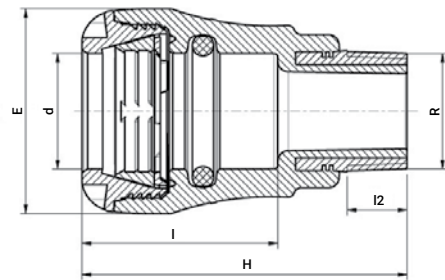
1001M



Product Code	Size d x d1	E	H	I	UB	UC	W
1001M6020005	20 x 1/2"	41	92	45	10	400	57
1001M6025005	25 x 1/2"	47	100	48	10	240	76
1001M6025007	25 x 3/4"	47	98	48	10	300	80
1001M6032010	32 x 1"	58	108	53	5	120	130

# Male Adaptor with Threaded Brass Offtake

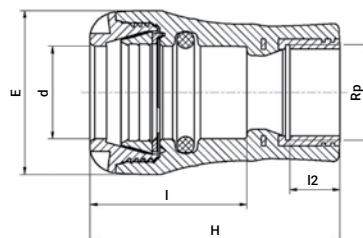
1072



Product Code	Size d x R	E	H	I	I2	UB	UC	W
107200020005	20 x 1/2"	41	76	45	13	1	360	72
107200020007	20 x 3/4"	41	77	45	15	1	320	82
107200025005	25 x 1/2"	47	79	48	13	1	320	82
107200025007	25 x 3/4"	47	80	48	15	1	280	92
107200025010	25 x 1"	47	85	48	17	1	200	126
107200032007	32 x 3/4"	58	88	55	15	1	220	120
107200032010	32 x 1"	58	92	55	17	1	170	153
107200032013	32 x 1 1/4"	58	100	55	19	1	130	200
107200032015	32 x 1 1/2"	58	101	55	19	1	110	239
107200040010	40 x 1"	70	110	73	17	1	130	216
107200040013	40 x 1 1/4"	70	113	73	19	1	110	260
107200040015	40 x 1 1/2"	70	113	73	19	1	100	290
107200050010	50 x 1"	85	127	81	17	1	90	301
107200050013	50 x 1 1/4"	85	127	81	19	1	80	340
107200050015	50 x 1 1/2"	85	120	81	19	1	75	366
107200050020	50 x 2"	85	127	81	23	1	60	449
107200063015	63 x 1 1/2"	103	132	92	19	1	50	500
107200063020	63 x 2"	103	139	92	23	1	50	580

## Female Adaptor with Threaded Brass Offtake

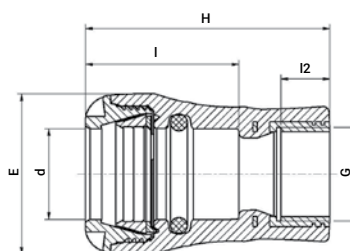
10730



Product Code	Size d x Rp	E	H	I	I2	UB	UC	W
107300020005	20 x 1/2"	41	73	45	15	1	320	80
107300020007	20 x 3/4"	41	80	45	16	1	250	100
107300025005	25 x 1/2"	47	76	48	15	1	280	91
107300025007	25 x 3/4"	47	78	48	16	1	250	100
107300025010	25 x 1"	47	89	48	19	1	180	136
107300032007	32 x 3/4"	58	86	56	16	1	180	132
107300032010	32 x 1"	58	88	56	19	1	160	156
107300032013	32 x 1 1/4"	58	98	56	21	1	120	214
107300040007	40 x 3/4"	70	109	73	16	1	130	196
107300040010	40 x 1"	70	106	73	19	1	130	226
107300040013	40 x 1 1/4"	70	109	73	21	1	110	273
107300040015	40 x 1 1/2"	70	113	73	21	1	100	299
107300050010	50 x 1"	85	113	81	19	1	80	313
107300050013	50 x 1 1/4"	85	124	81	21	1	80	350
107300050015	50 x 1 1/2"	85	118	81	21	1	80	367
107300050020	50 x 2"	85	127	81	26	1	60	457
107300063015	63 x 1 1/2"	103	128	92	21	1	50	515
107300063020	63 x 2"	103	133	92	26	1	45	586

## Female Adaptor with Threaded G Brass Offtake

1073G

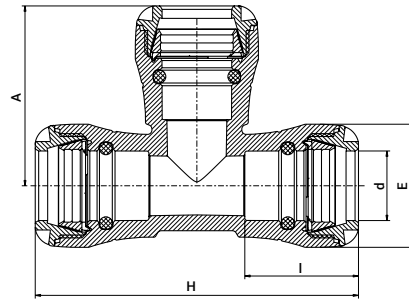


Product Code	Size d x G	E	H	I	I2	UB	UC	W
1073G0025007	25 x 3/4"	47	78	48	12	1	250	98
1073G0025010	25 x 1"	47	89	48	14	1	180	143
1073G0032007	32 x 3/4"	58	86	56	12	1	180	138
1073G0032010	32 x 1"	58	88	56	14	1	160	155
1073G0040013	40 x 1 1/4"	70	109	73	19	1	90	262



## 90° Tee

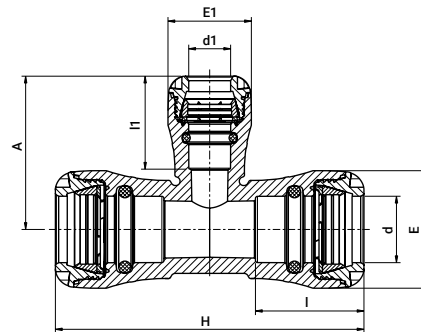
1004



Product Code	Size d	E	H	I	A	UB	UC	W
100400020	20	41	123	45	71	1	180	103
100400025	25	47	134	48	78	1	130	137
100400032	32	58	152	54	84	1	80	221
100400040	40	70	192	70	108	1	45	429
100400050	50	85	214	78	124	1	30	667
100400063	63	103	262	90	147	1	14	1157

## 90° Reducing Tee

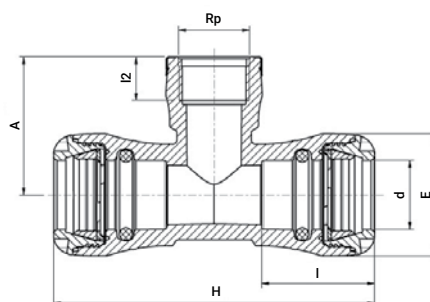
1034



Product Code	Size d x d1 x d	E	H	I	I1	A	E1	UB	UC	W
103400025020	25 x 20 x 25	47	134	48	46	73	41	1	150	127
103400032020	32 x 20 x 32	58	152	54	46	75	41	1	100	185
103400032025	32 x 25 x 32	58	152	54	49	81	47	1	100	195
103400040025	40 x 25 x 40	70	192	70	49	86	47	1	55	325
103400040032	40 x 32 x 40	70	192	70	54	93	58	1	55	358
103400050025	50 x 25 x 50	85	214	78	49	90	47	1	35	500
103400050032	50 x 32 x 50	85	214	78	54	98	58	1	35	530
103400063025	63 x 25 x 63	103	262	90	49	96	47	1	24	848
103400063032	63 x 32 x 63	103	262	90	54	100	58	1	20	871

## 90° Tee with Threaded Female Offtake

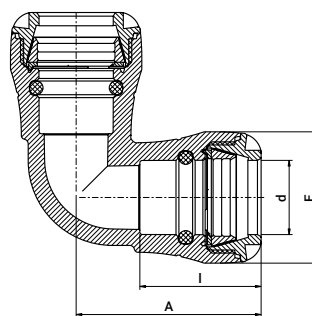
1014



Product Code	Size d x Rp x d	E	H	I	I2	A	UB	UC	W
101400020005	20 x 1/2" x 20	41	123	45	17	43	1	250	84
101400020007	20 x 3/4" x 20	41	123	45	18	46	1	220	88
101400020010	20 x 1" x 20	41	123	45	21	52	1	220	99
101400025005	25 x 1/2" x 25	47	134	48	17	46	1	180	105
101400025007	25 x 3/4" x 25	47	134	48	18	46	1	180	107
101400025010	25 x 1" x 25	47	134	48	21	54	1	180	114
101400032007	32 x 3/4" x 32	58	152	54	18	52	1	100	172
101400032010	32 x 1" x 32	58	152	54	21	55	1	100	183
101400032013	32 x 1 1/4" x 32	58	152	54	24	63	1	80	215
101400040010	40 x 1" x 40	70	192	70	21	65	1	65	304
101400040013	40 x 1 1/4" x 40	70	192	70	24	73	1	45	333

## 90° Elbow

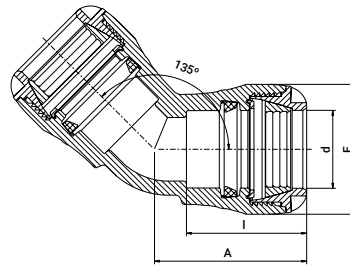
1005



Product Code	Size d	E	I	A	UB	UC	W
100500020	20	41	45	67	1	250	75
100500025	25	47	48	73	1	200	96
100500032	32	58	54	81	1	130	157
100500040	40	70	70	106	1	65	291
100500050	50	85	78	119	1	40	462
100500063	63	103	90	141	1	25	799

## 45° Elbow

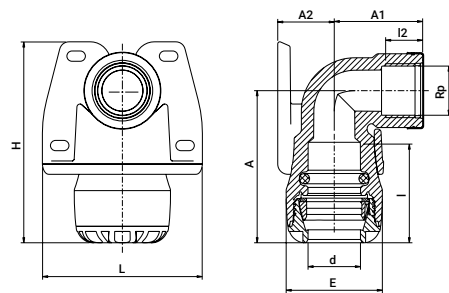
1006



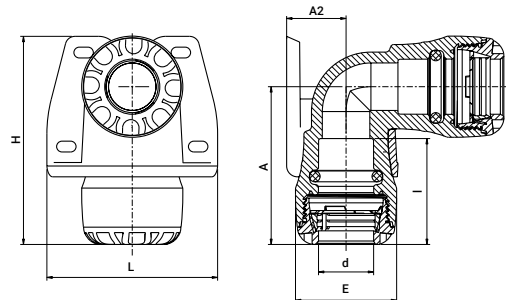
Product Code	Size d	E	I	A	UB	UC	W
100600032	32	58	54	67	1	150	142
100600040	40	70	71	88	1	80	263
100600050	50	85	79	100	1	40	428
100600063	63	103	90	118	1	25	719

## Wall Plate Elbow

1075



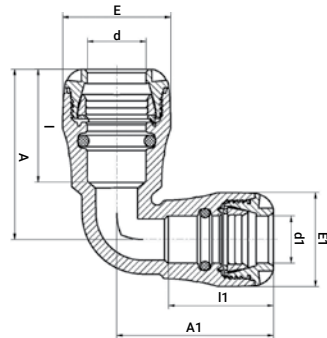
Product Code	Size d x Rp	E	H	I	I2	A	A1	A2	L	UB	UC	W
107500020005	20 x 1/2"	41	95	45	17	67	39	28	73	1	200	92
107500020007	20 x 3/4"	41	95	45	18	67	43	28	73	1	200	96
107500025005	25 x 1/2"	47	98	48	17	74	40	28	78	1	180	110
107500025007	25 x 3/4"	47	98	48	18	74	43	28	78	1	180	116



Product Code	Size d x d	E	H	I	A	A2	L	UB	UC	W
107500025	25 x 25	47	98	48	74	28	78	5	125	138

## 90° Reducing Elbow

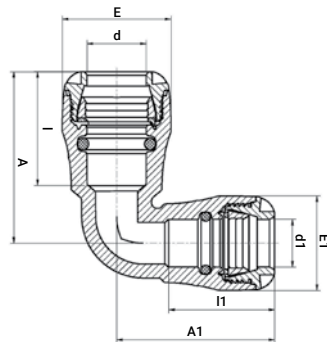
1051



Product Code	Size d x d1	E	I	I1	A	A1	E1	UB	UC	W
105100025020	25 x 20	47	48	46	74	68	41	1	200	90

## 90° Elbow Metric to Imperial (IPS)

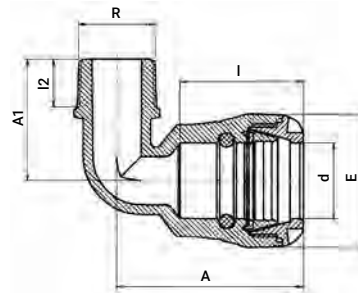
1005M



Product Code	Size d x d1	E	I	I1	A	A1	E1	UB	UC	W
1005M6025005	25 x 1/2"	47	48	46	74	68	41	10	180	89
1005M6025007	25 x 3/4"	47	48	48	73	73	47	10	160	101

## 90° Elbow with Threaded Male Offtake

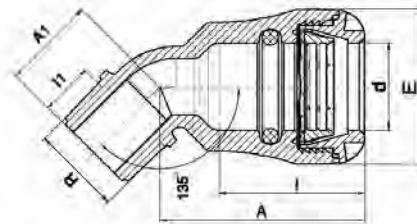
1085



Product Code	Size d x R	E	I	I2	A	A1	UB	UC	W
108500020005	20 x 1/2"	41	45	16	66	41	1	380	47
108500020007	20 x 3/4"	41	45	17	66	42	1	380	52
108500025005	25 x 1/2"	47	48	16	74	44	1	350	57
108500025007	25 x 3/4"	47	48	17	74	45	1	300	64
108500025010	25 x 1"	47	48	19	74	47	1	280	65
108500032007	32 x 3/4"	58	53	17	81	51	1	220	90
108500032010	32 x 1"	58	53	19	81	53	1	220	92
108500032013	32 x 1 1/4"	58	53	21	81	54	1	180	114
108500032015	32 x 1 1/2"	58	53	22	81	62	1	180	130
108500032020	32 x 2"	58	53	25	89	66	1	100	147
108500040010	40 x 1"	70	71	19	107	57	1	110	173
108500040013	40 x 1 1/4"	70	71	21	107	58	1	100	189
108500040015	40 x 1 1/2"	70	71	21	107	60	1	100	194
108500050013	50 x 1 1/4"	85	79	22	122	68	1	65	277
108500050015	50 x 1 1/2"	85	79	21	122	68	1	65	290
108500063013	60 x 1 1/4"	103	90	22	143	76	1	40	447
108500063015	63 x 1 1/2"	103	90	21	143	78	1	40	458
108500063020	63 x 2"	103	90	25	143	81	1	40	492

## 45° Elbow with Threaded Male Offtake

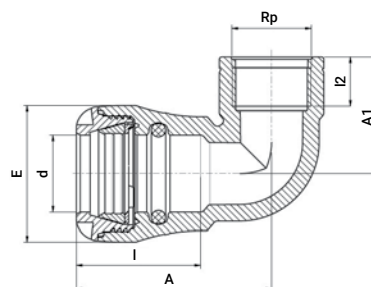
1045



Product Code	Size d x R	E	I	I1	A	A1	UB	UC	W
104500032010	32 x 1"	58	54	19	76	35	1	220	89
104500040013	40 x 1 1/4"	70	70	21	96	40	1	120	163

## 90° Elbow with Threaded Female Offtake

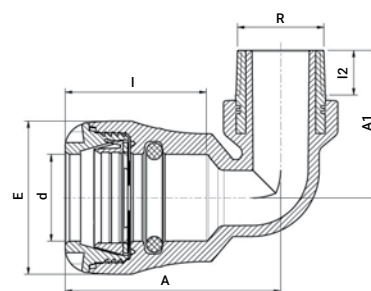
1015



Product Code	Size d x Rp	E	I	I2	A	A1	UB	UC	W
101500020005	20 x 1/2"	41	45	17	67	39	1	300	51
101500020007	20 x 3/4"	41	45	18	67	43	1	300	55
101500020010	20 x 1"	41	45	21	67	49	1	300	64
101500025005	25 x 1/2"	47	48	17	74	40	1	280	63
101500025007	25 x 3/4"	47	48	18	74	43	1	250	70
101500025010	25 x 1"	47	48	21	74	50	1	220	82
101500032007	32 x 3/4"	58	54	18	83	45	1	220	95
101500032010	32 x 1"	58	54	21	83	49	1	200	111
101500032013	32 x 1 1/4"	58	54	24	83	60	1	150	145
101500040010	40 x 1"	70	72	21	107	51	1	110	179
101500040013	40 x 1 1/4"	70	72	24	107	61	1	100	226
101500040015	40 x 1 1/2"	70	72	24	107	65	1	90	244
101500050015	50 x 1 1/2"	85	79	24	119	63	1	60	330
101500050020	50 x 2"	85	79	29	119	75	1	55	349
101500063020	63 x 2"	103	79	29	141	70	1	35	534

## 90° Elbow with Threaded Brass Male Offtake

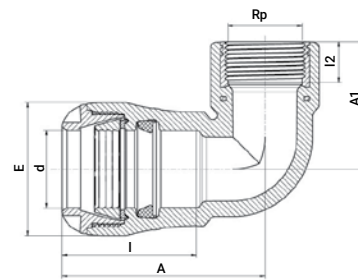
1077



Product Code	Size d x R	E	I	I2	A	A1	UB	UC	W
107700032007	32 x 3/4"	58	53	15	81	80	1	110	239
107700032010	32 x 1"	58	53	17	81	83	1	150	172
107700032013	32 x 1 1/4"	58	53	19	81	83	1	90	285
107700032015	32 x 1 1/2"	58	53	19	81	83	1	85	305
107700040010	40 x 1"	70	59	17	104	71	1	90	239
107700040013	40 x 1 1/4"	70	59	19	104	71	1	90	295
107700040015	40 x 1 1/2"	70	59	19	104	71	1	85	341
107700050010	50 x 1"	85	79	19	116	62	1	70	337
107700050013	50 x 1 1/4"	85	79	21	116	68	1	70	384
107700050015	50 x 1 1/2"	85	79	21	116	73	1	50	431
107700050020	50 x 2"	85	79	23	116	85	1	50	538
107700063013	63 x 1 1/4"	103	90	21	143	74	1	40	559
107700063015	63 x 1 1/2"	103	90	21	143	74	1	40	592
107700063020	63 x 2"	103	90	26	143	85	1	40	726

# 90° Elbow with Threaded Brass Female Offtake

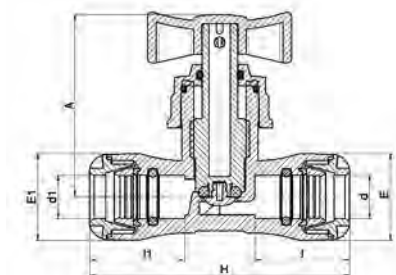
1076



Product Code	Size d x Rp	E	I	I2	A	A1	UB	UC	W
107600032010	32 x 1"	58	53	19	73	60	1	140	187
107600040007	40 x 3/4"	70	72	16	107	51	1	120	219
107600040010	40 x 1"	70	72	19	107	60	1	90	266
107600040013	40 x 1 1/4"	70	72	21	107	67	1	90	313
107600040015	40 x 1 1/2"	70	72	21	107	70	1	85	355
107600050010	50 x 1"	85	79	19	122	60	1	70	349
107600050013	50 x 1 1/4"	85	79	21	122	67	1	60	403
107600050015	50 x 1 1/2"	85	79	21	122	73	1	60	455
107600050020	50 x 2"	85	79	26	122	84	1	50	558
107600063013	63 x 1 1/4"	103	90	21	143	68	1	40	575
107600063015	63 x 1 1/2"	103	90	21	143	72	1	40	625
107600063020	63 x 2"	103	90	26	143	82	1	35	747

## Compression Stoptap

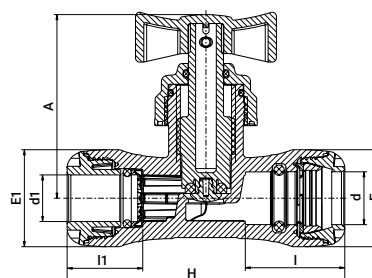
03410



Product Code	Size d x d1	E	H	I	I1	A	E1	UB	UC	W
034100020	20 x 20	41	123	45	—	89	—	1	130	145
034100025	25 x 25	47	134	48	—	89	—	1	130	167
034100025020	25 x 20	47	129	48	45	89	42	1	130	161
034100032	32 x 32	58	152	54	—	89	—	1	80	225

## Stoptap - Copper Pipe Adaptor

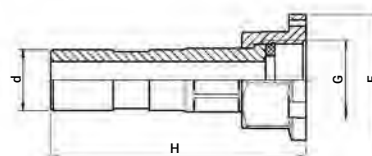
0341C



Product Code	Size d x d1	E	H	I	I1	A	E1	UB	UC	W
0341C0020015	20 x 15	41	123	45	45	89	41	1	130	149
0341C0025015	25 x 15	47	129	48	46	89	42	1	130	165
0341C0025022	25 x 22	47	134	48	48	89	47	1	130	171
0341C0032028	32 x 28	58	159	54	54	89	58	1	80	223

## Free Nut Union for Water Meter

0358916

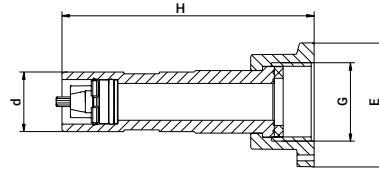


Product Code	Size d x G	E	H	UB	UC	W
0358916020	20 x 3/4"	42	86	1	150	75
0358916025	25 x 1"	50	90	1	150	111



## Free Nut Adaptor with Check Valve

0358917



Product Code	Size d x G	E	H	UB	UC	W
0358917020	20 x 3/4"	44	86	10	300	40
0358917025	25 x 1"	50	90	10	300	58

## PLASSON Series 1 Wrench

10990



Product Code	Size	UB	UC	W
10990004P	20 - 32	—	300	72
10990002P	40 - 63	—	100	285

For item starting with 1761

## Chamfer Tool for PE Pipes

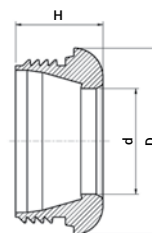
18960



Product Code	Size	UB	UC	W
189600063020P	20 - 63	1	180	86

## Nut

10004



Product Code	Size d	D	H	UB	UC	W
100040020P	20	40	22	50	1400	7
100040025P	25	45	22	50	1200	8
100040032P	32	57	24	50	900	15
100040040P	40	68	33	50	500	29
100040050P	50	83	37	—	300	44
100040063P	63	100	43	—	200	60

## NBR O-Ring

10002



Product Code	Pipe Size	E	e	UB	UC	W
100020020P	20	19	4	50	32000	1
100020025P	25	24	5	50	16000	2
100020032P	32	31	6	50	10000	4

## EPDM O-Ring

10002D



Product Code	Pipe Size	E	e	UB	UC	W
10002D020	20	19	14	50	32000	1
10002D025	25	24	5	50	16000	2
10002D032	32	31	6	50	8000	4

## NBR Shaped Seal

100029



Product Code	Pipe Size	E	e	UB	UC	W
100029040P	40	38	10	50	4000	8
100029050P	50	49	10	50	2500	11
100029063P	63	61	11	50	2000	15

## EPDM Shaped Seal

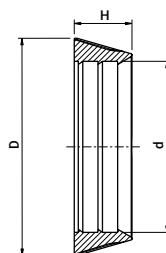
10002D9



Product Code	Pipe Size	E	e	UB	UC	W
10002D940	40	38	10	50	4000	7
10002D950	50	48.6	10	50	2500	9
10002D963	63	60.6	11	50	2000	13

## Split Ring

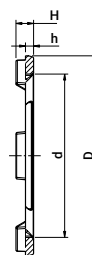
10003



Product Code	Size d	D	H	UB	UC	W
100030020P	20	27	9	50	6000	2
100030025P	25	33	9	50	4500	3
100030032P	32	42	11	50	2000	4
100030040P	40	52	14	50	1600	14
100030050P	50	64	17	50	500	14
100030063P	63	81	21	50	500	27

## Grip Ring

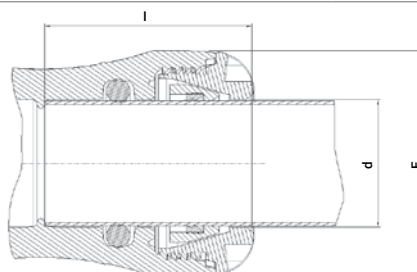
10008



Product Code	Size d	D	H	h	UB	UC	W
100080020P	20	27	4	2	50	7000	1
100080025P	25	33	4	2	50	5500	1
100080032P	32	42	4	2	50	3000	1
100080040P	40	52	4	2	50	2500	2
100080050P	50	64	4	3	50	1000	3
100080063P	63	80	5	3	50	1000	6

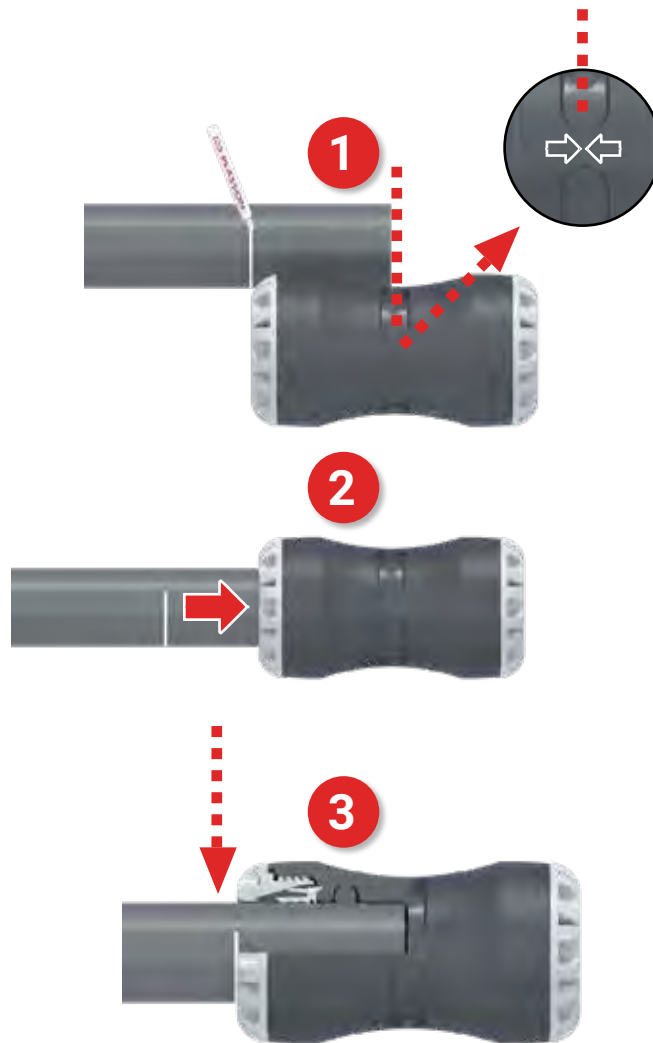
## PVC Pipe Adaptor Kit

1091Q

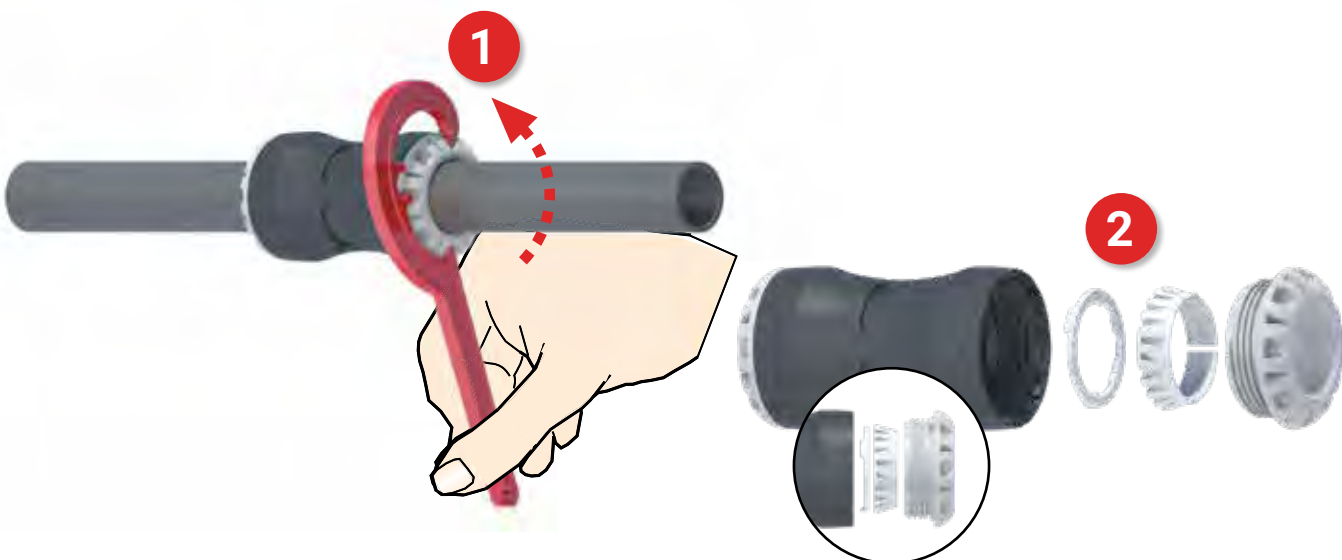


Product Code	Size d	E	I	UB	UC	W
1091Q0025	25	47	48	1	500	26
1091Q0032	32	58	53	1	400	31
1091Q0040	40	70	70	1	300	56
1091Q0050	50	85	78	1	200	72
1091Q0063	63	103	90	1	130	134

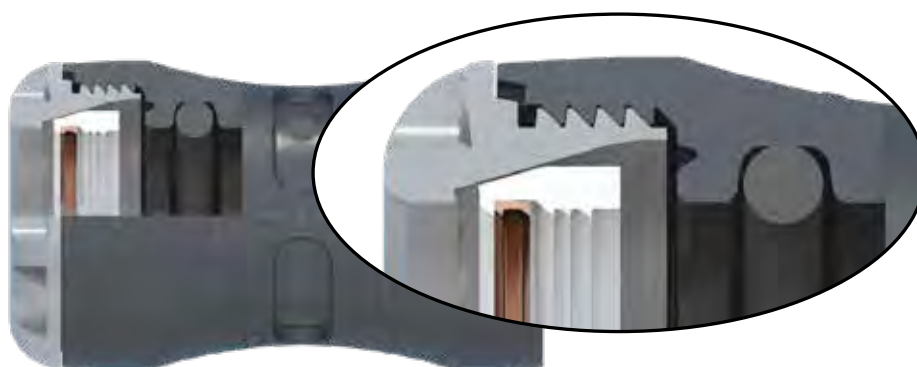
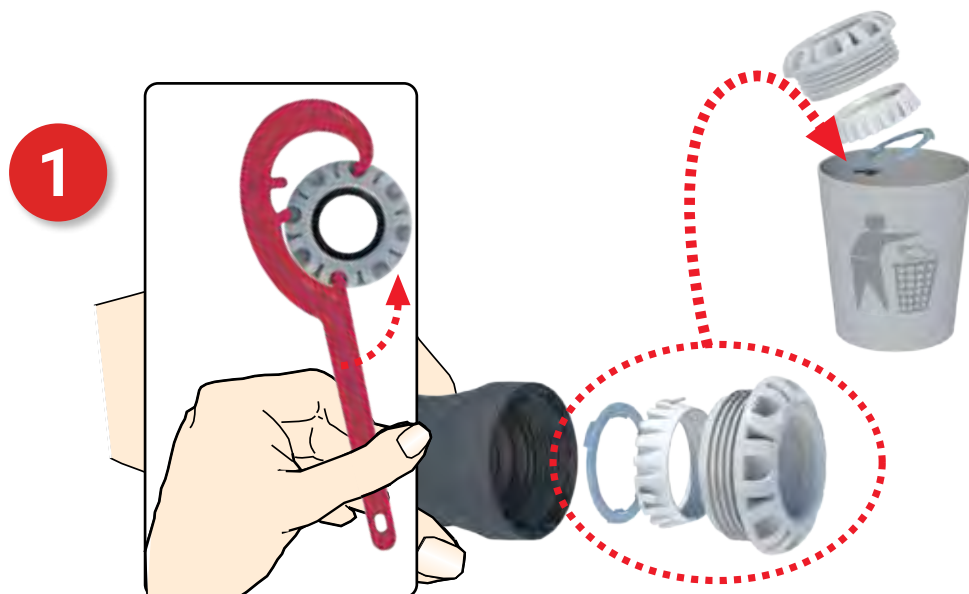
## Installation Instructions



## Disassembly

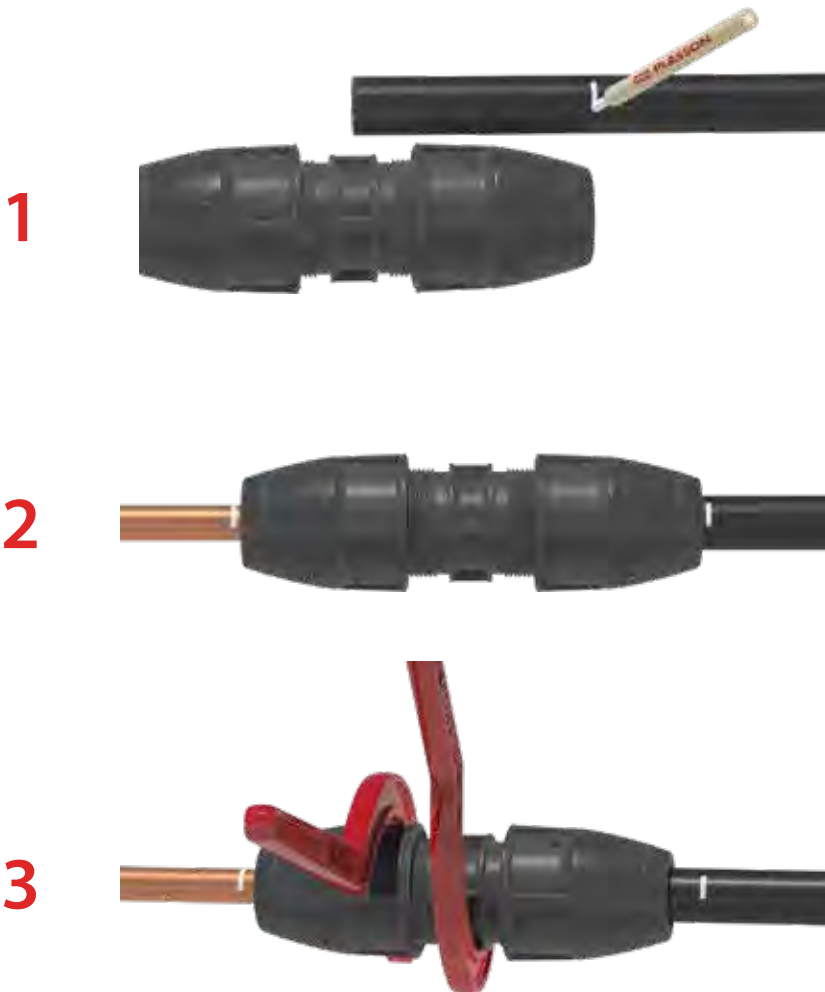


## Assembly Instructions PVC Pipe Kit



# Plasson Universal Slip Repair Coupler

## Assembly Instructions



1. Mark pipe insertion depth on the pipe (approximately half the fitting length). Undo nuts 1 to 2 turns while ensuring they remain on the fitting.
2. Insert the pipe until the mark reaches the end of the nut.
3. While holding the fitting body with a Plasson wrench (or a similar tool) tighten the nut firmly with a second wrench.

**Note:** If the fitting is reused, make sure metal teeth are present in the split ring.